

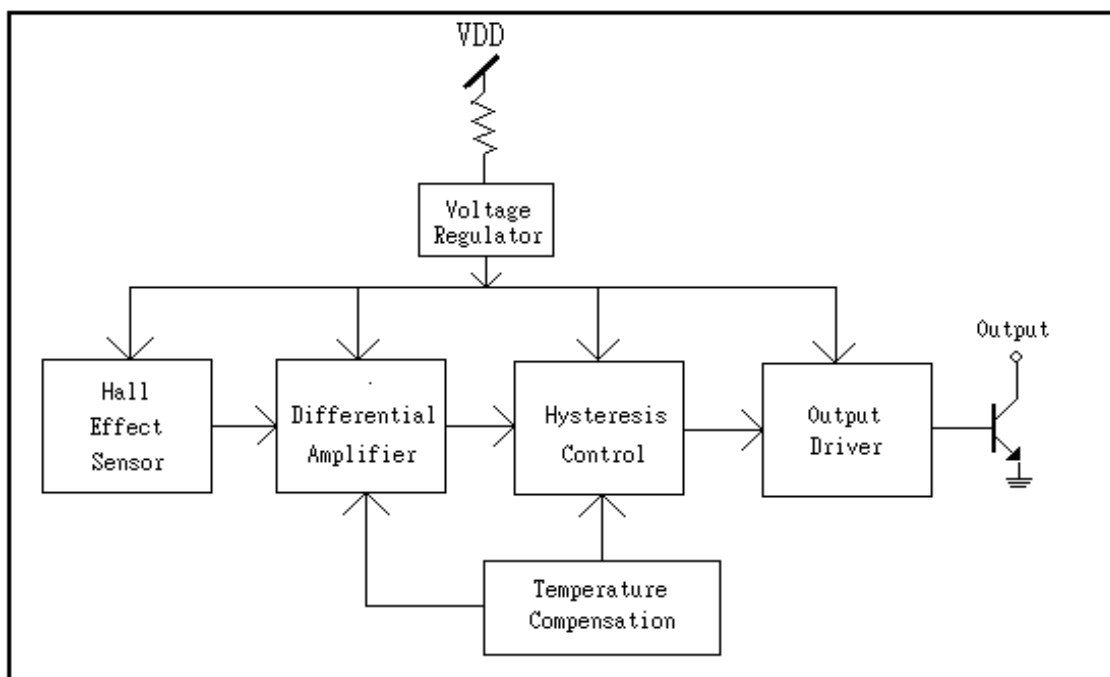


Output breakdown Voltage	$V_{out(\text{breakdown})}$	-----	30V
Magnetic flux density	B	-----	Unlimited
Reverse Protection Voltage	$V_r$	-----	26V
Output ON Current (continuous)	$I_c$	-----	25mA
Operating Temperature Range	$T_a$	-----	(-40°C to +125°C)
Storage Temperature Range	$T_s$	-----	(-65°C to +150°C)
Package Power Dissipation	$P_d$	-----	500mw

Electrical Characteristics: (T=+25°C, Vcc=2.4V to 26V)

Characteristic	Symbol	Test Conditions	Min	Typ	Max	Units
Supply Voltage	Vcc	—	2.4	—	26	V
Output Saturation Voltage	$V_{out(\text{sat})}$	Vcc=12V, Ic=10mA B > Bop	—	0.2	0.6	V
Output Leakage Current	$I_{\text{leakage}}$	Vcc=12V, B<Brp	—	<0.1	10	uA
Supply Current	$I_{\text{supply}}$	Vcc=12V, Output Open	—	2.0	5	mA
Output Rise Time	Tr	Vcc=12V, RL=2K $\Omega$ CL=20Pf	—	1.0	10	$\mu$ s
Output Falling Time	Tf	Vcc=12V, RL=2K $\Omega$ CL=20Pf	—	0.3	1.5	$\mu$ s

Function Block:



## Magnetic Characteristics:

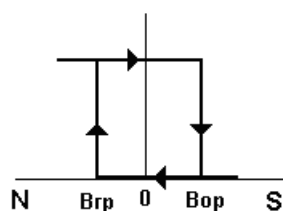
Characteristic	Symbol	Grade	Min.	Typ.	Max.	Unit
Operating Point	Bop	A	+5	+ 30	+ 50	Gauss
		B		+ 50	+ 70	Gauss
		C			+120	Gauss
Release Point	Brp	A	-50	- 30	-5	Gauss
		B	-70	-50		Gauss
		C	-120			Gauss
Hysteresis Window	Bhys			60	100	Gauss

\* + mean South magnetic field, 1mT=10 Gauss

## Ordering Information:

WSH130-XPAN □ (T0-92 ) WSH130-XPCN □ (SOT23) ↑ Grade <b>Halogen Free</b>	<b>Grade:</b> 1: 50 Gauss 2: 70 Gauss 3: 120 Gauss
--------------------------------------------------------------------------------------	-------------------------------------------------------------

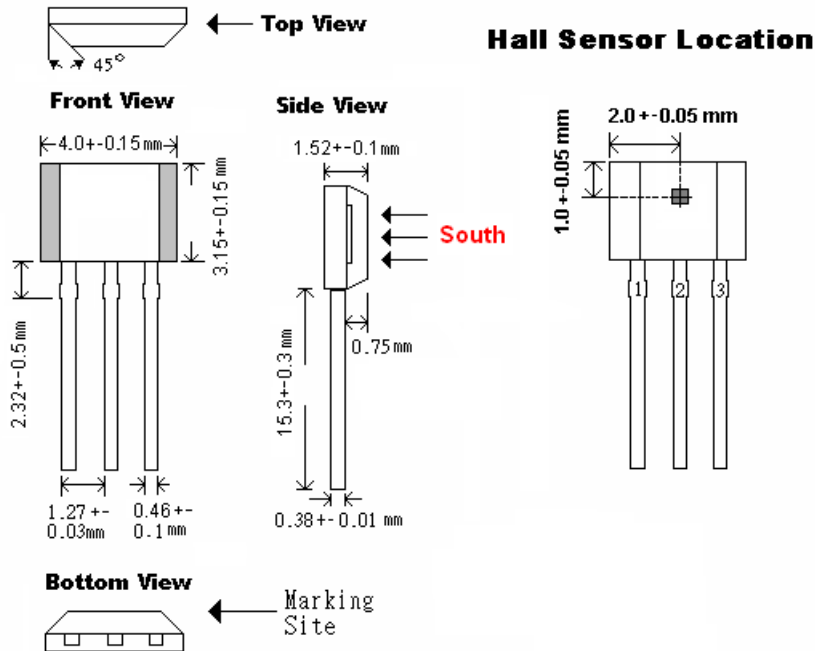
Output vs. Magnetic Field



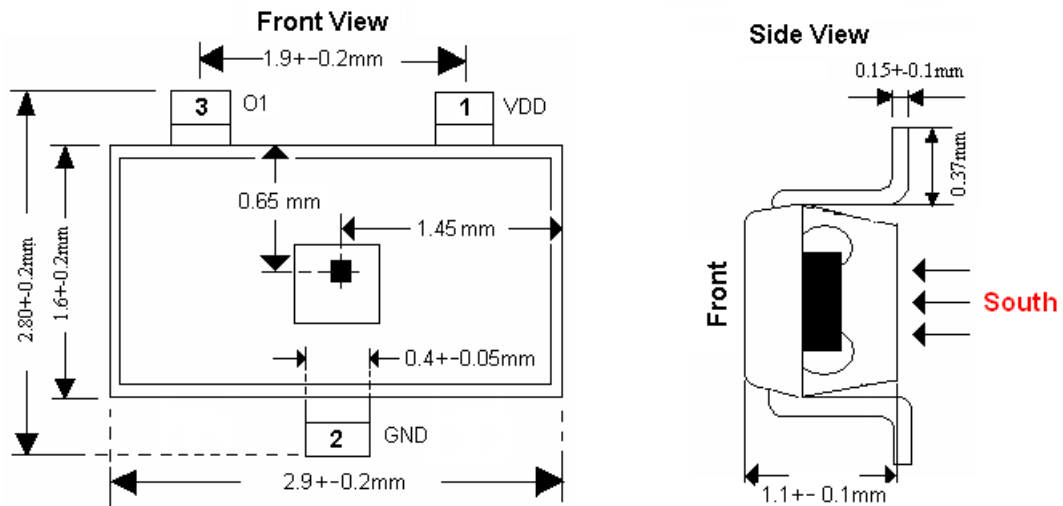
Winson reserves the right to make changes to improve reliability or manufacturability.

Package Information:

TO-92S:



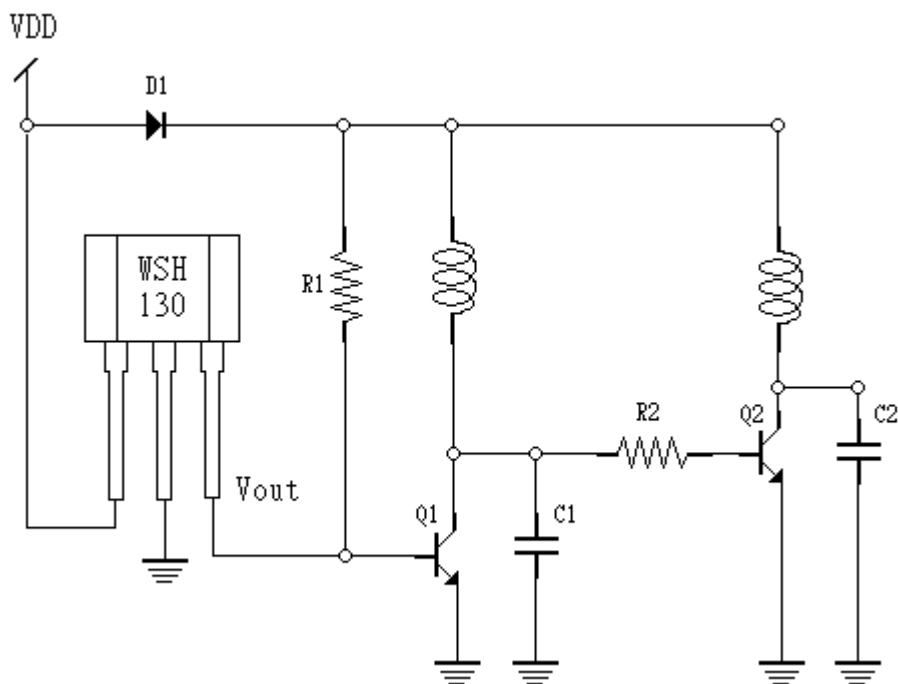
SOT23:



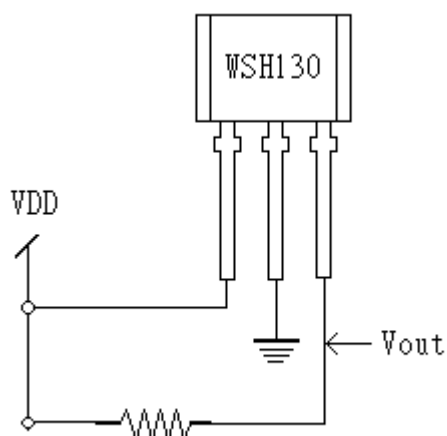
Winson reserves the right to make changes to improve reliability or manufacturability.

Application Circuit:

**Fan Application:**



**Magnetic detector:**



Winson reserves the right to make changes to improve reliability or manufacturability.